

DFW-SX900 DFW-X700

Component/OEM



OUTLINE

The DFW-SX900 is a high resolution SXGA 1280 x 960 pixel color C-mount camera featuring a 1/2 type progressive scan 1,450,000 pixel CCD. Incorporating an IEEE 1394 digital interface, this advanced digital camera produces new levels of detailed, uncompressed images. Its compact and lightweight design makes the DFW-SX900/X700 easy to install and ideal for a variety of applications such as machine vision, image processing, microscopy and factory automation.

The DFW-X700 incorporates a 1/2 type progressive scan 800,000 pixel CCD and possesses the same features as the DFW-SX900. Both models have square pixels as well as a primary filter which enables high color quality. Moreover, both models incorporate an external trigger with an exposure range from 1/20,000 to 2 seconds, allowing the cameras to capture fast moving objects clearly or image still objects in low light.

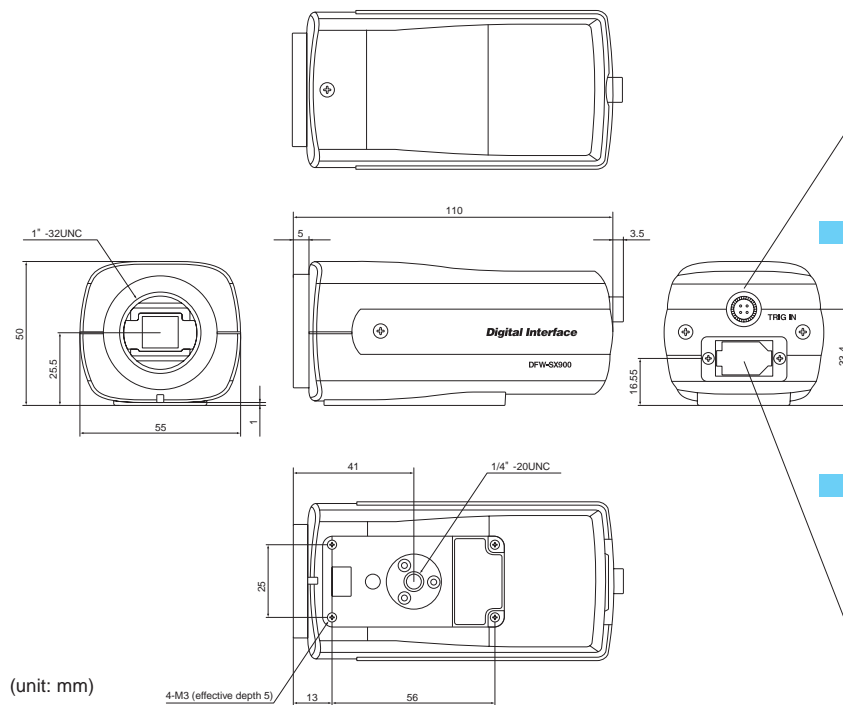
FEATURES

- High resolution video format
 - SXGA 1280 x 960 (DFW- SX900)
 - XGA 1024 x 768 (DFW- X700)
- IEEE 1394 Digital camera specification (Ver.1.30)
- 400 Mbps IEEE 1394 digital interface
- C mount
- External trigger function
- Scalable function
(16 zone selectable – electronic pan/tilt)
Scalable mode allows selection of an area within a full image for output.
- Flange back adjustment

SPECIFICATIONS

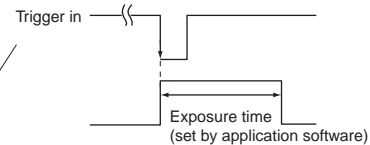
	DFW-SX900	DFW-X700
Image device	1/2 type IT progressive scan CCD	
Effective picture elements	Approx. 1,450,000; 1392 (H) x 1040 (V)	Approx. 800,000; 1034 (H) x 779 (V)
Picture size	SXGA (1280 x 960)	XGA (1024 x 768)
Cell size	4.65 μm (H) x 4.65 μm (V)	6.25 μm (H) x 6.25 μm (V)
Lens mount	C mount	
Minimum illumination	20 lx (F1.4, Gain + 18 dB)	
Digital interface	IEEE 1394-1995	
Transfer rate	400 Mbps/200 Mbps	
Frame rate	7.5 or 3.75 frames/s	15 or 7.5 frames/s
Gain control	Manual (0 - 18 dB)	
Shutter speed	1/20,000 - 2 s	
External trigger shutter	Yes (Trigger mode 0)	
Scalable function	16 zones (4 x 4)	8 zones (2 x 4)
Power requirements	DC 8 - 30 V from IEEE 1394 camera cable	
Power consumption	3.3 W (DC 12 V)	
Dimensions	55 (W) x 50 (H) x 110 (D) mm (2 1/4 x 2 x 4 3/8 inches)	
Mass	250 g (9 oz)	
Operation temp.	- 5 to 45 °C (23 to 113 °F)	
Storage temp.	- 20 to 60 °C (-4 to 140 °F)	
Regulations	UL1950, FCC Class B Digital Device, CE (EN6060-1)	
Supplied accessories	Lens mount cap (1), Clamp filter (2), External trigger connector (male)(1), Operating instructions (1), Cable (1)	

DIMENSIONS



(unit: mm)

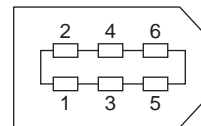
TRIGGER SHUTTER



4 PIN ASSIGNMENT

1	NC
2	GND
3	TRIGIN
4	NC

6 PIN ASSIGNMENT



- 1: Power
- 2: Power (GND)
- 3: TPB-
- 4: TPB+
- 5: TPA-
- 6: TPA+

- Sony Electronics Inc. (USA) HQ
- Sony of Canada Ltd. (CANADA)
- Sony Broadcast & Professional Europe HQ

Germany
France
UK
Nordic
Italy

1 Sony Drive Park Ridge, NJ 07656
115 Gordon Baker Rd, Toronto, Ontario M2H 3R6
Schipholweg 275, 1171 PK Badhoevedrop The Netherlands

Hugo-Eckener-Strasse 20 D-50829 Köln
15, rue Floreal F-75831 Paris Cedex 17
The Heights, Brooklands, Weybridge, Surrey KT13 0XW
Per Albin Hanssons vag 20 S-214 32 Malmö Sweden
Via Galileo Galilei 40 I-20092 Cinisello Balsamo, Milano

(TEL:+1-800-686-7669)
<http://www.sony.com/videocameras>
(TEL:+1-416-499-1414) (FAX:+1-416-497-1774)
(TEL:+31-20-44-99-351) (FAX:+31-20-44-99-333)
<http://www.pro.sony-europe.com>
(TEL:+49-221-5966-322) (FAX:+49-221-5966-491)
(TEL:+33-1-55-90-41-58) (FAX:+33-1-55-90-42-20)
(TEL:+44-990-331122) (FAX:+44-1932-817011)
(TEL:+46-40-190-800) (FAX:+46-40-190-450)
(TEL:+39-2-618-38-431) (FAX:+39-2-618-38-402)

©2000 Sony Corporation. All rights reserved.
Reproduction in whole or in part without written permission is prohibited.
Design and specifications are subject to change without notice.
Printed in U.S.A.